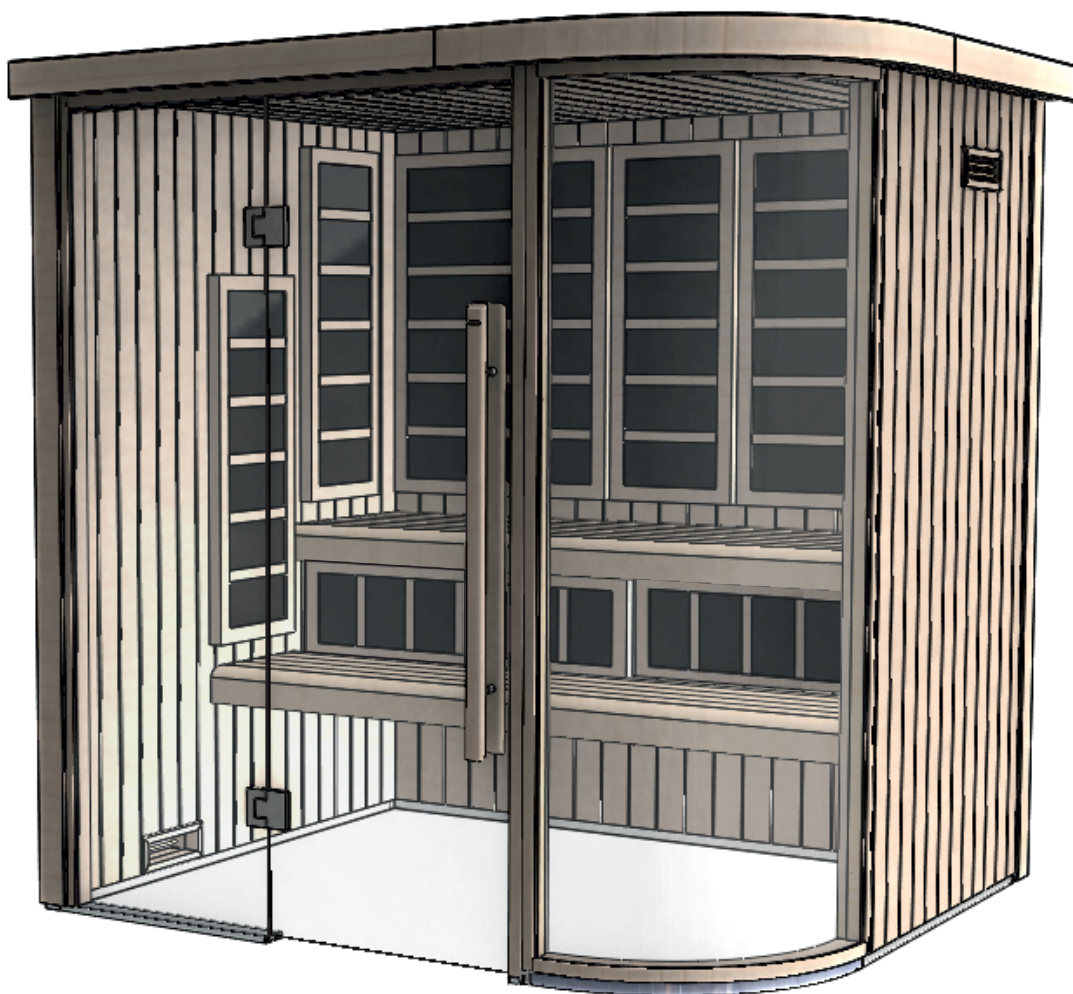


INFRA PANEL

980x680 / 980x360 / 980x280





WARNING!

- The heater must be connected by a qualified electrician pursuant to applicable regulations!
- Always check that the heater is connected to the correct main/phase voltage!
- Anyone with a mental or physical disability or little experience or knowledge of how to use the equipment (e.g. children) must be instructed or supervised by someone responsible for their safety.
- Saunas are not recommended for people in poor health. Please consult a doctor.
- Covering the heater may cause a fire.
- The sauna room or cabin is to be inspected before either restarting the timer or by switching on the appliance by a separate remote-control system
- The sauna room or cabin is to be inspected before setting the appliance to a standby mode for a delayed start
- This appliance can be used by children aged from 8 years and above and persons with reduced physical, sensory or mental capabilities or lack of experience and knowledge if they have been given supervision or instruction concerning use of the appliance in a safe way and understand the hazards involved
- Children shall not play with the appliance
- Cleaning and user maintenance shall not be made by children without supervision
- Do not add a locking or latching system to the door
- Children must be supervised at all times in the sauna

Warning (Human limitations):

- Prolonged exposure at elevated temperatures may cause hyperthermia (body temperature is several degrees above 37°C (98.6F))
- Hyperthermia symptoms include: dizziness, lethargy, drowsiness, and fainting
- Hyperthermia can cause:
 - Fetal damage in pregnant women
 - Physical in-ability to exit the room
 - Loss of consciousness
- Notice - Use of alcohol or drugs increases the risk of fatal hyperthermia
- If you have any health problems or health conditions, consult your physician prior to sauna use, discontinue use if nervousness, tremor, headache, feeling of sickness or nausea occurs

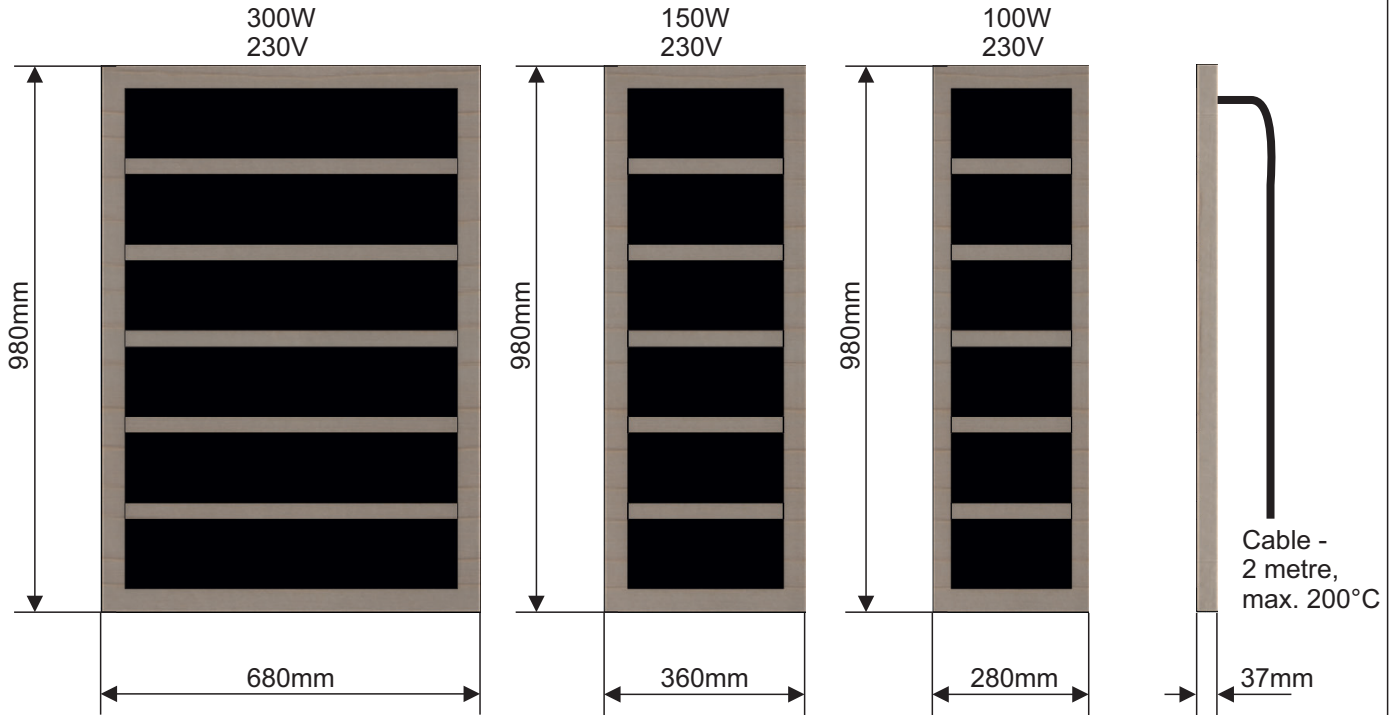
Warning (Fire hazards):

- Do not use the sauna room for drying cloths, bathing suits, etc.
- Do not hang towels or other objects on heater grills
- Make sure to follow installation and user instructions

How to Use Combi Sauna:

- Avoid eating large meals and excessive alcohol intake before using sauna.
- Never smoke or drink alcohol or exercise inside of sauna.
- If you are taking any medications or under the care of a physician, consult with them prior to sauna usage.
- Refer to sauna usage warning signs located inside of sauna room

Dimensions

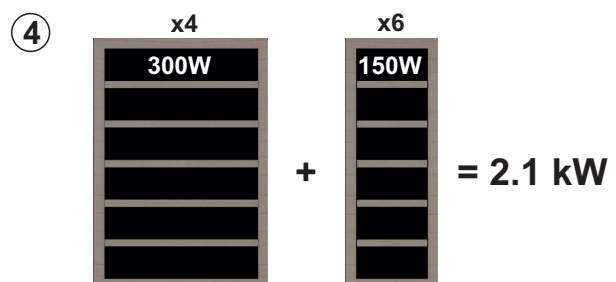
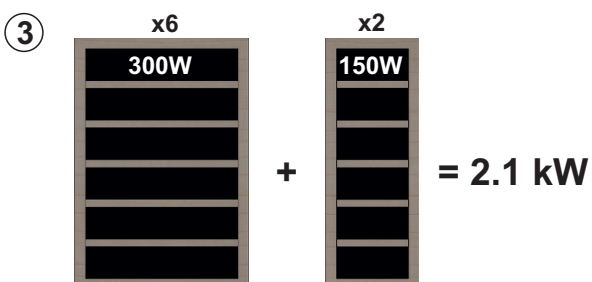
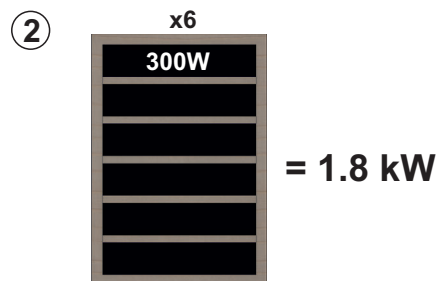
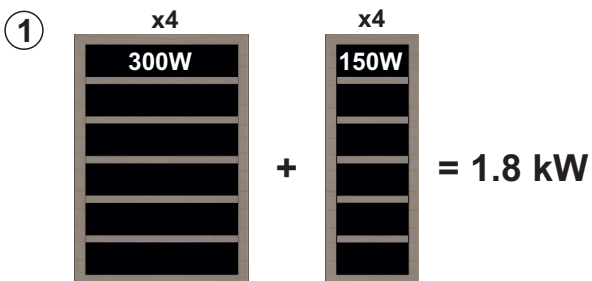


Product combinations for Infra

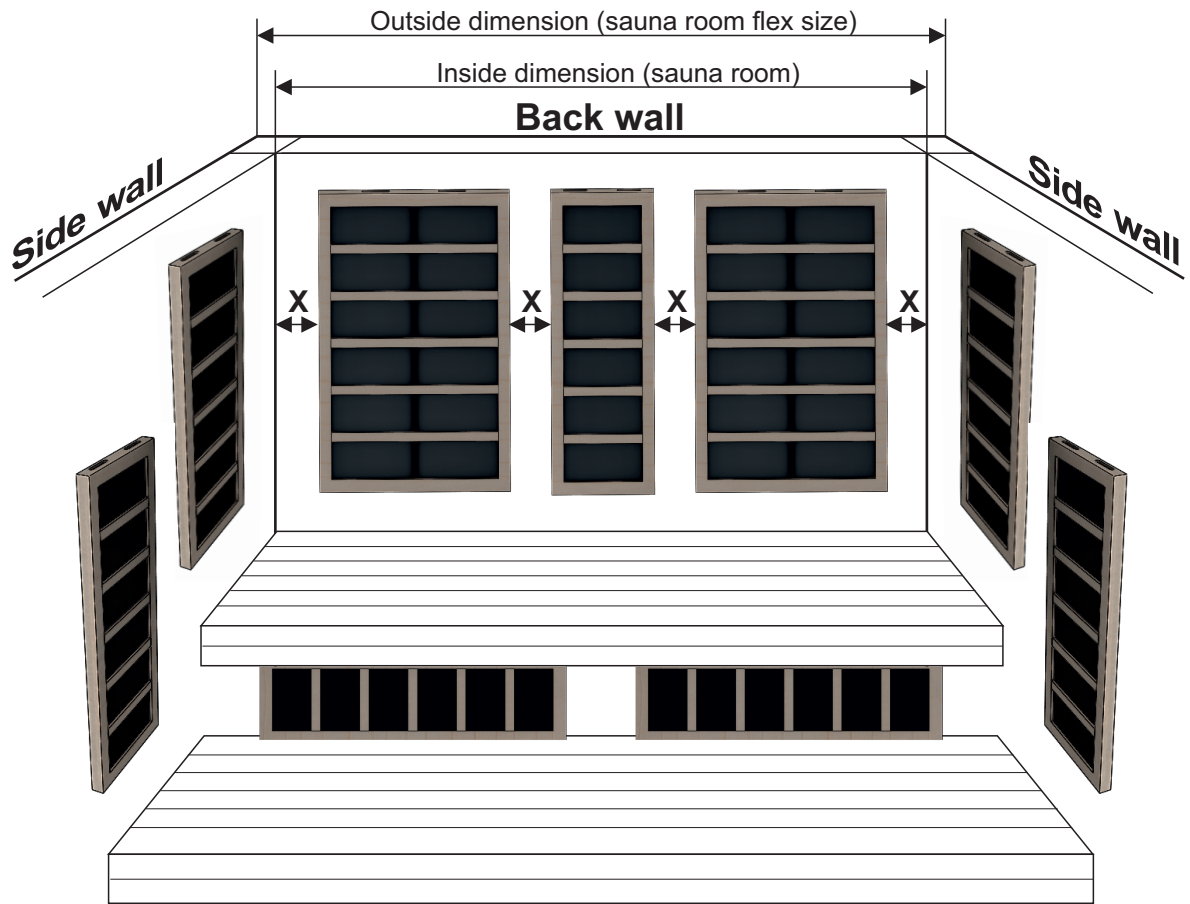


Number of Infra panels - examples

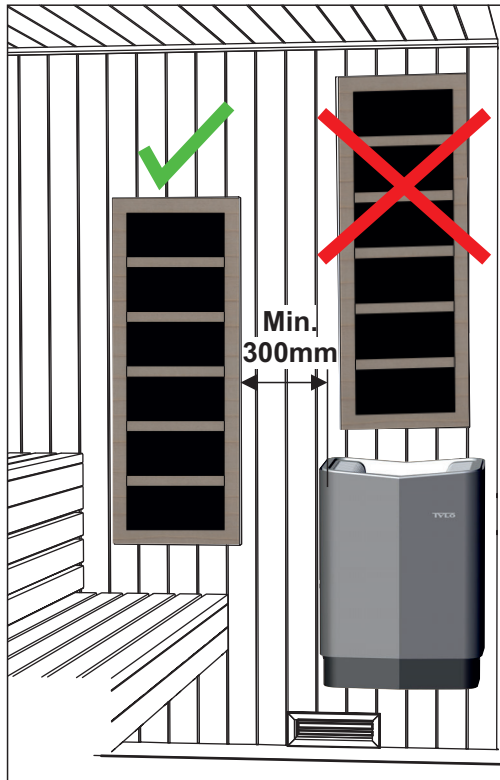
Sauna heater Sense Elite - Max. 2.2 kW
Relay box Commercial Lite - Max 2.3 kW



Example of placement of Infra panels in sauna room Harmony



Outside dimensions (mm) Flex size	Inside dimensions (mm)	Back wall - Infra panels		X (mm) Distance between panels	Side wall - Infra panels	Under bench - Infra panels
		980x680 (pcs)	980x360 (pcs)		980x360 (pcs)	980x280 (pcs)
1160	1018	-	2	99	4	1
1245	1103	1	1	21	4	1
1330	1188	-	3	27	4	1
1415	1273	-	3	48	4	1
1500	1358	-	3	69	4	1
1585	1443	2	-	27	4	1
1670	1528	2	-	56	4	1
1755	1613	2	-	84	4	1
1840	1698	-	4	51	4	1
1925	1783	-	4	68	4	1
2010	1868	2	1	37	4	1
2095	1953	2	1	58	4	1
2180	2038	2	1	79	4	2
2265	2123	3	-	21	4	2
2350	2208	3	-	42	4	2
2435	2293	3	-	63	4	2
2520	2378	3	-	84	4	2
2605	2463	2	2	76	4	2
2690	2548	2	2	93	4	2



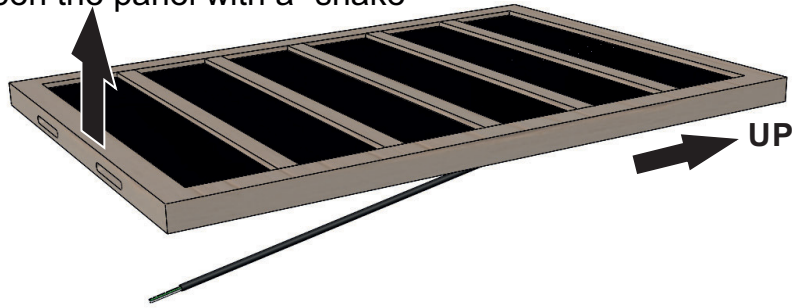
Don't place the infra panels over or too close to the sauna heater!



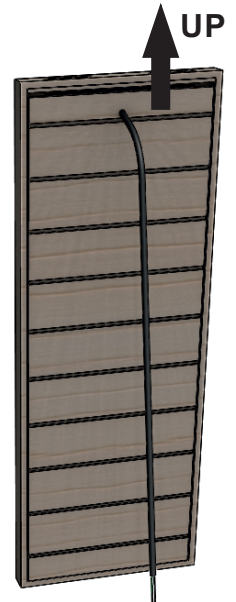
Make sure that the outlet vent does not end up behind the infra panel. Preferably place the outlet vent in the ceiling.

Open the Infra panel

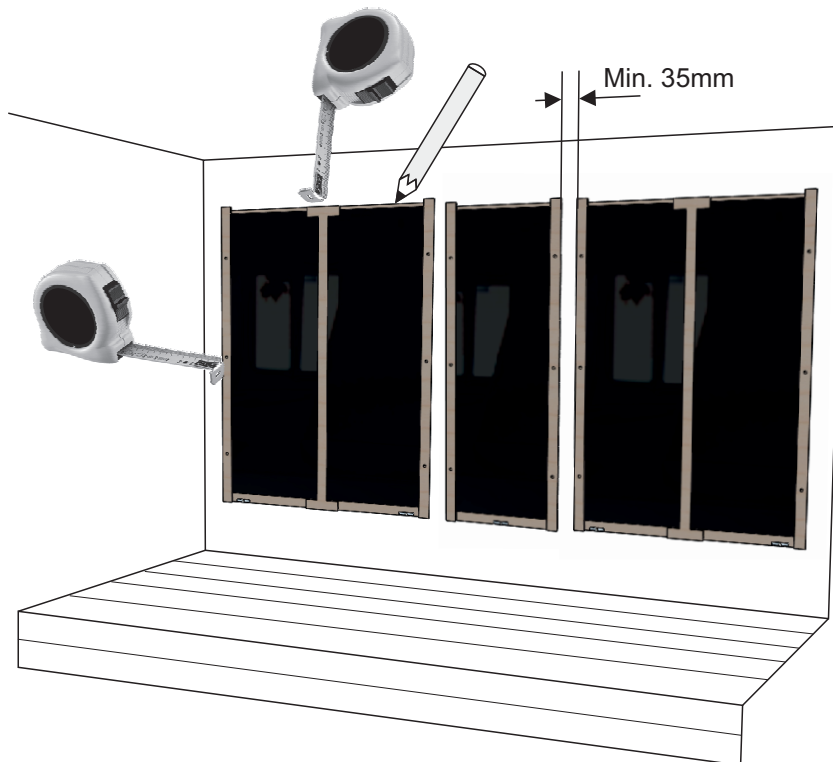
Open the panel with a "shake"



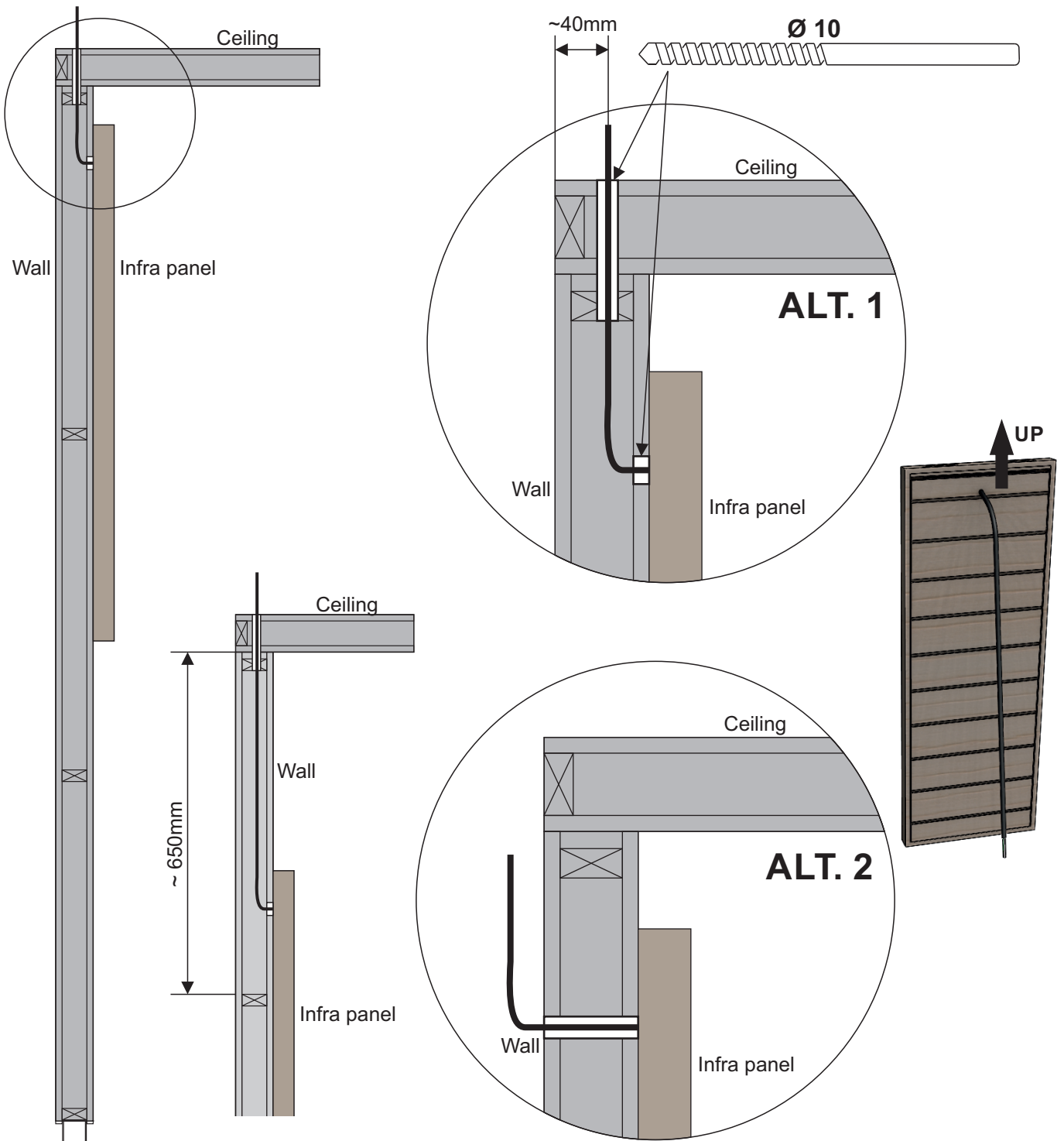
Push the front upwards



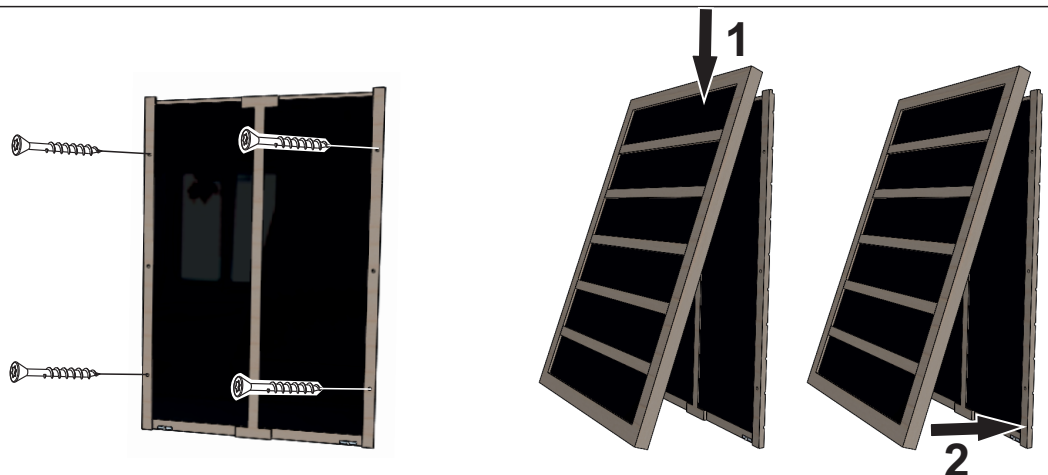
Measure and mark where the panels will be mounted NB! Keep in mind that the front should fit



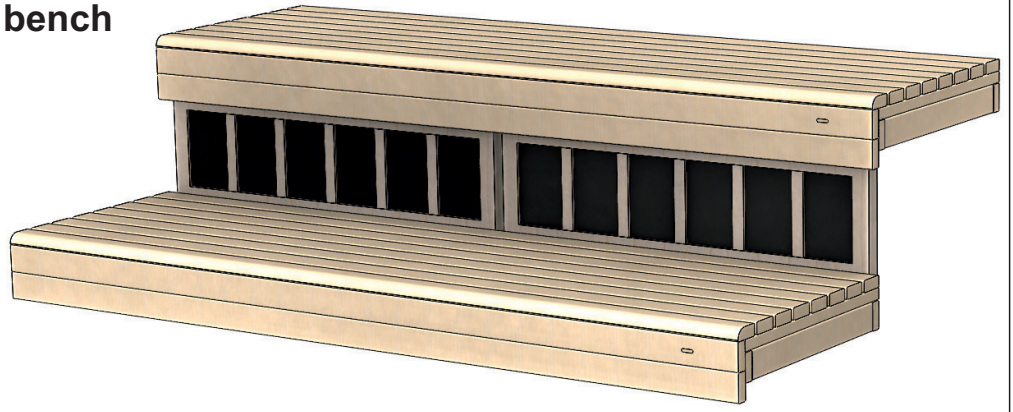
**Drill holes through the wall/ceiling for the cables.
Pull the cables through the holes.**



Mount the Infra panels with screws and put the front back

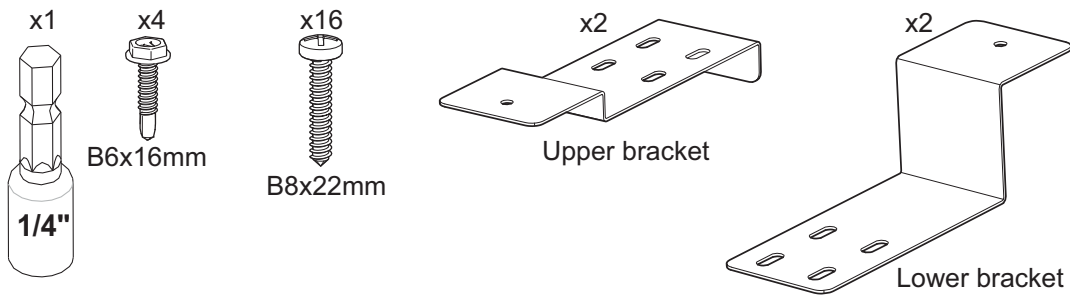


Infra panel under the bench



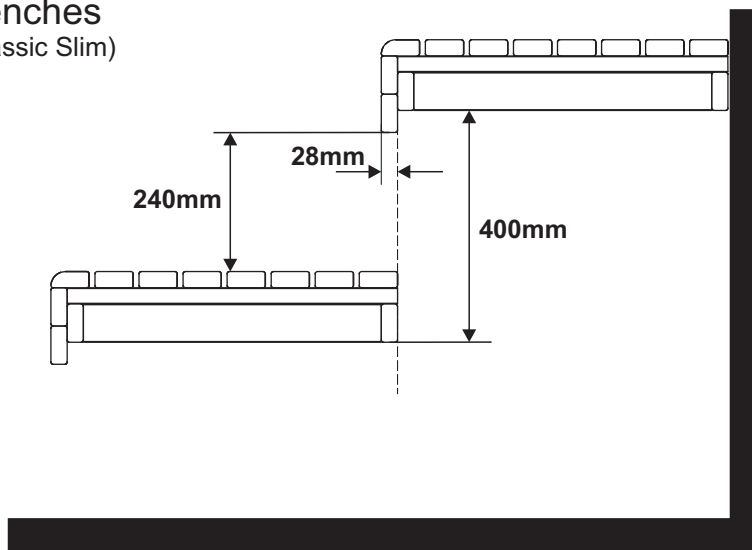
Optional: Mounting kit for one infra panel

(Sold separately, art.no 9001 1307)

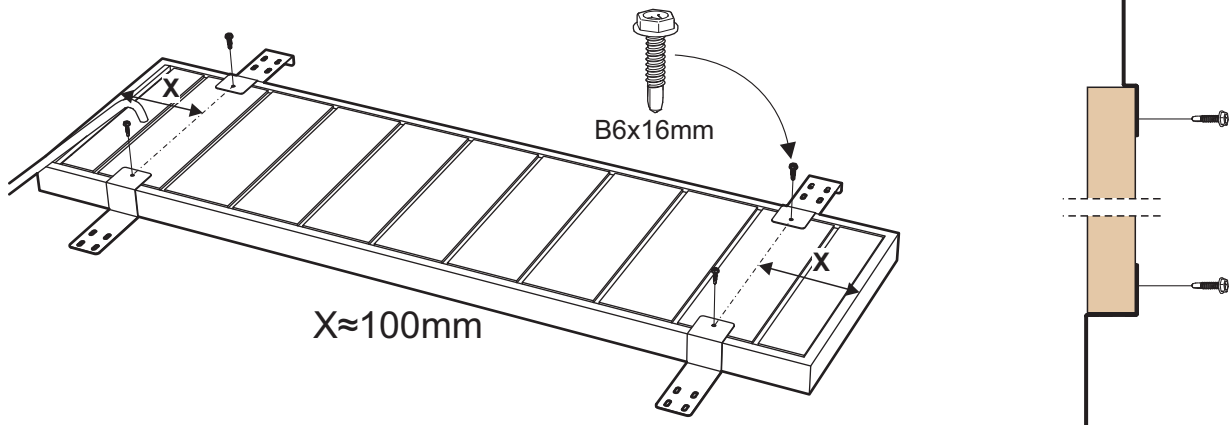


Placement of benches

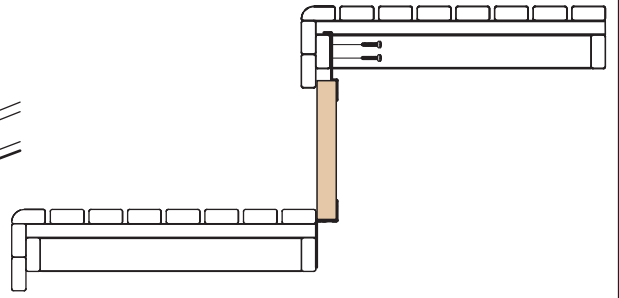
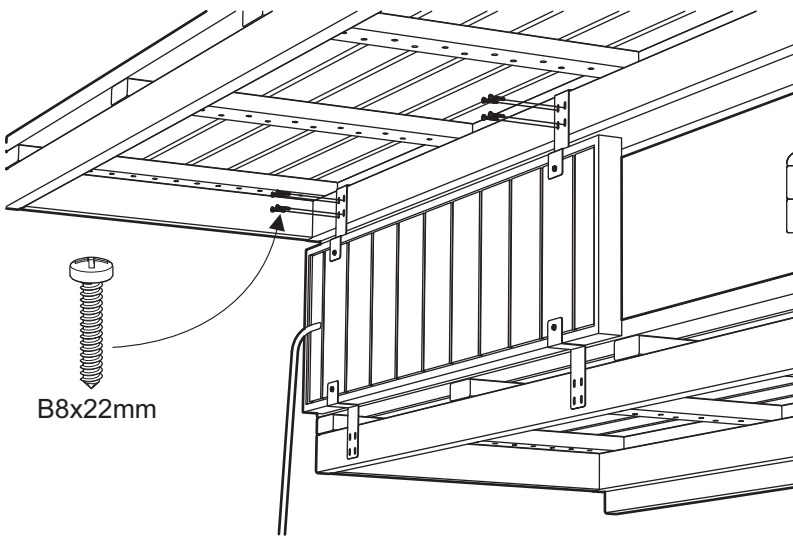
(Benches - Classic/Classic Slim)



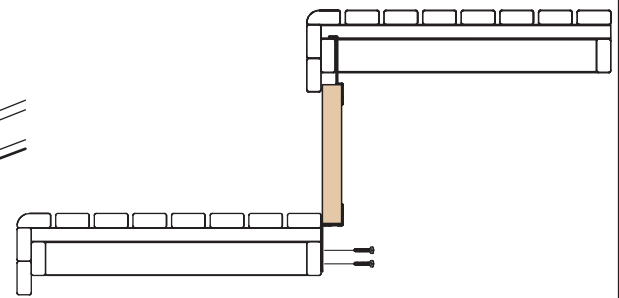
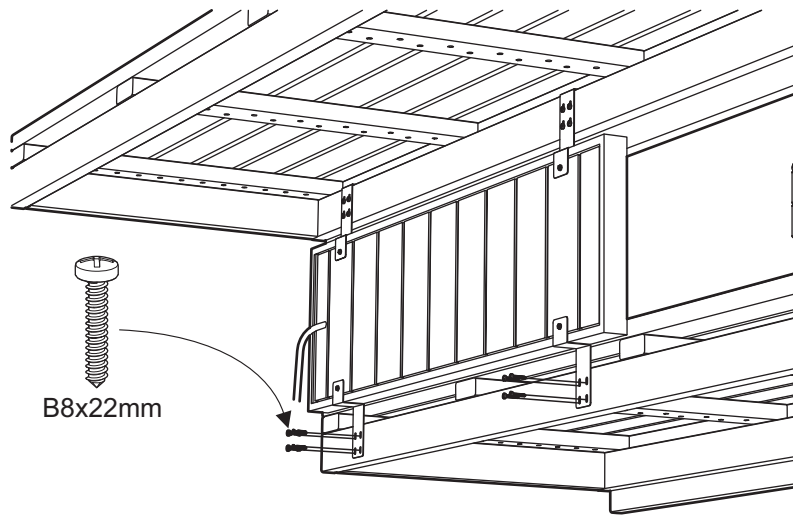
Mount the brackets on the back side of the infra panel



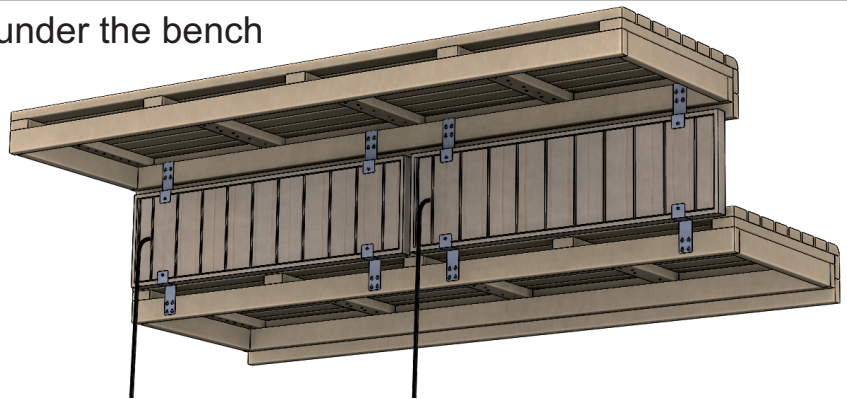
Mount the upper brackets on the upper bench



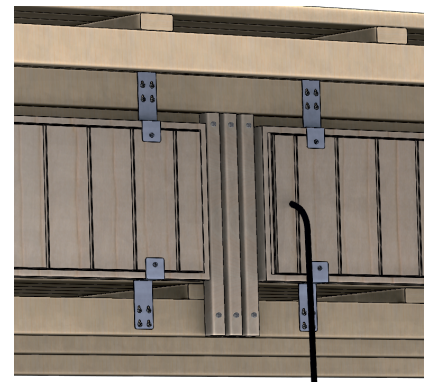
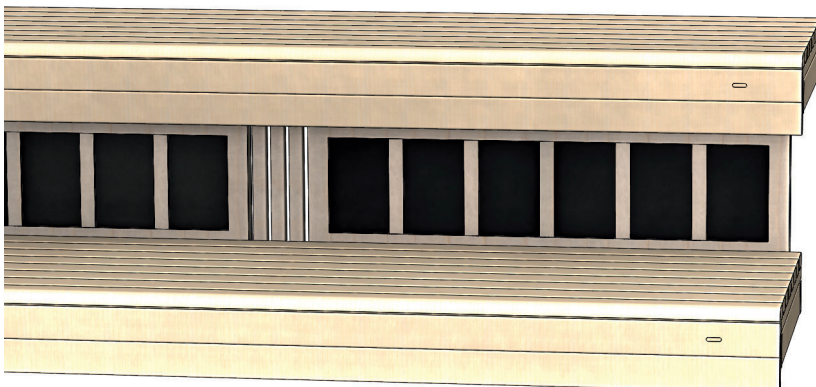
Mount the lower brackets on the lower bench



Example - two infra panels under the bench

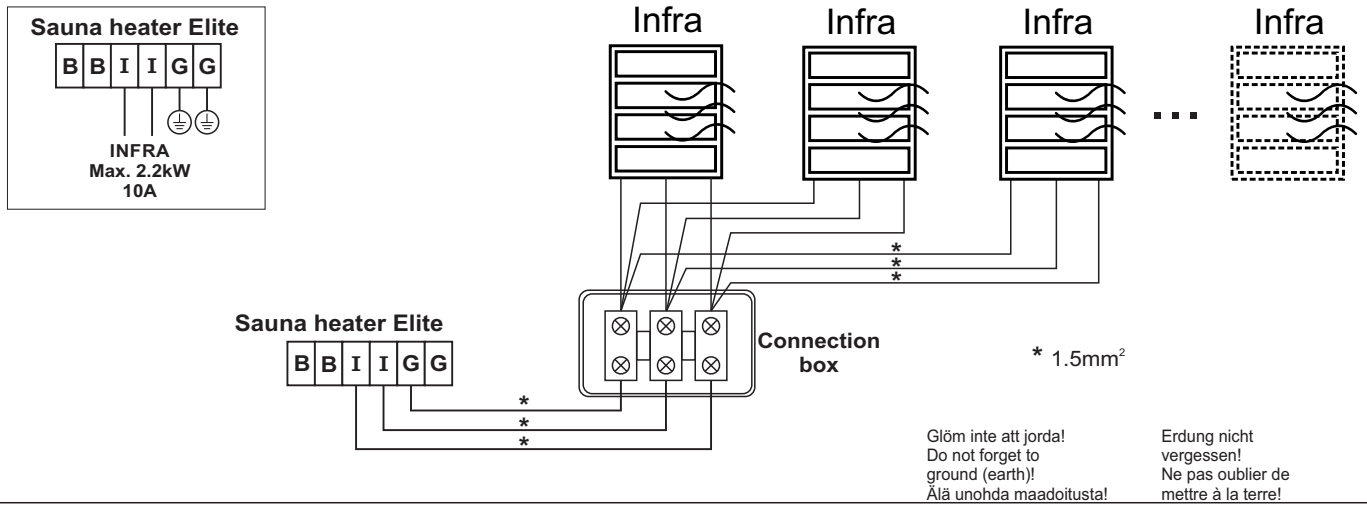


Tip how to fill eventual gaps

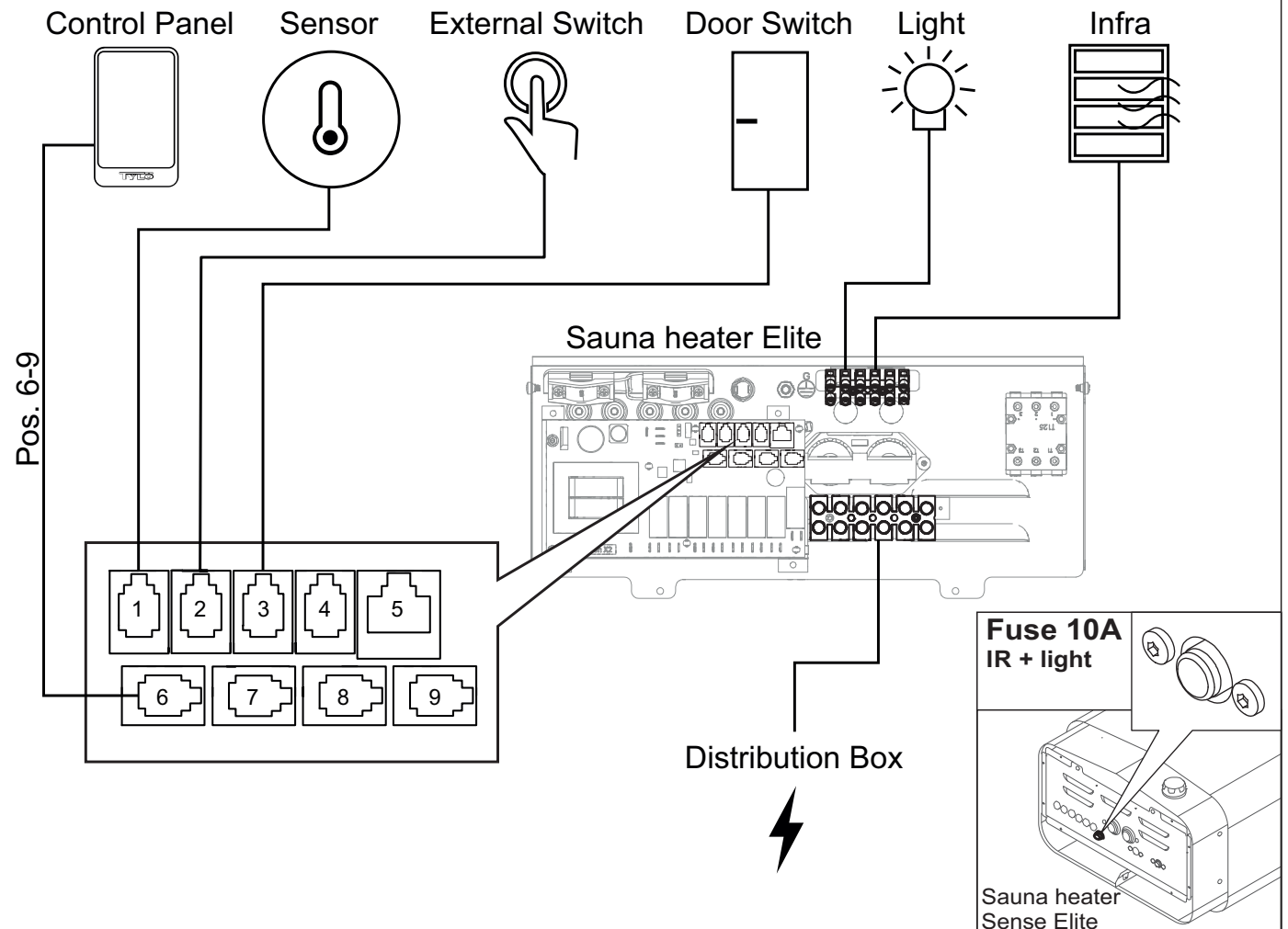


Combination: Sauna heater Sense Elite and Infra panels

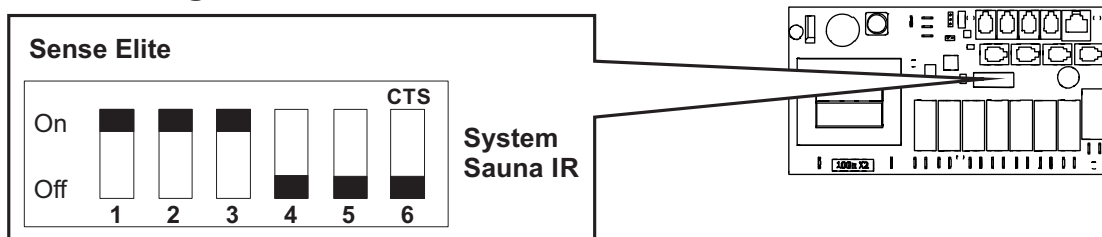
Connection diagram - Sauna heater Sense Elite and Infra panels



Schematic diagram - Sauna heater Sense Elite

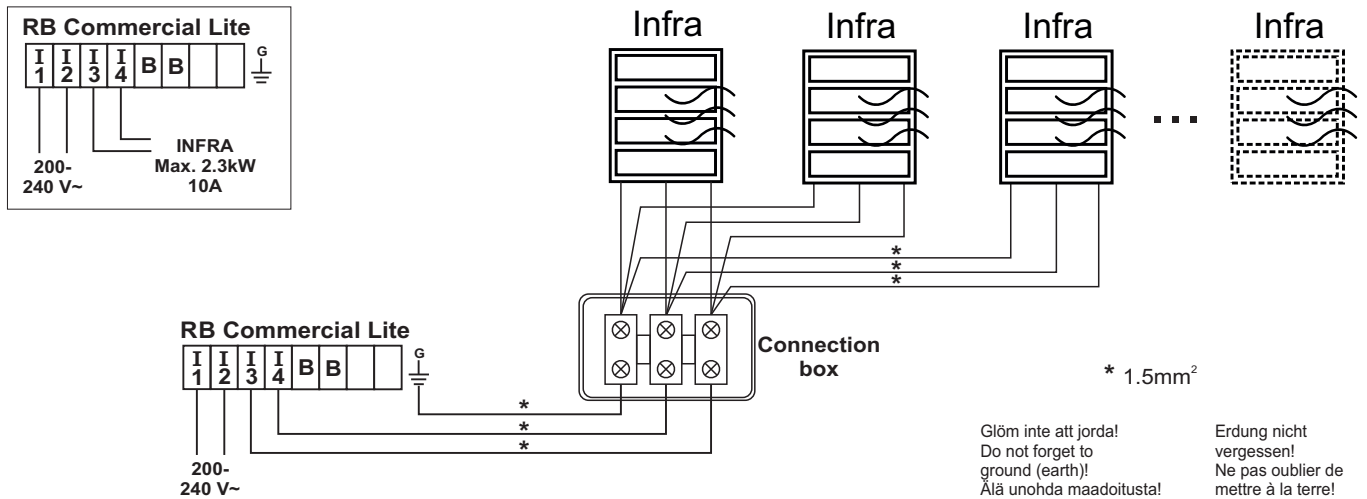


DIP switch settings

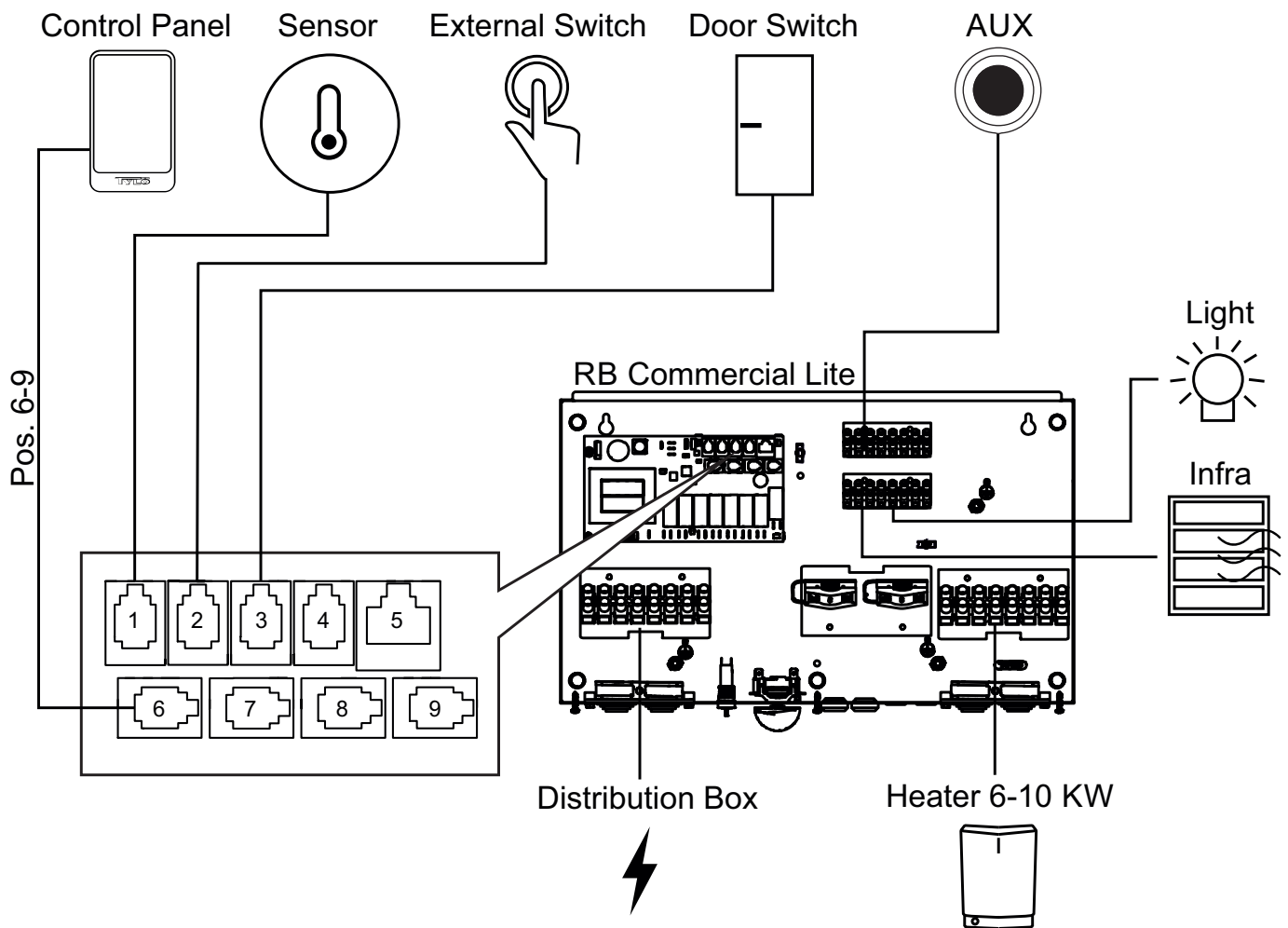


Combination: Relay box Commercial Lite and Infra panels

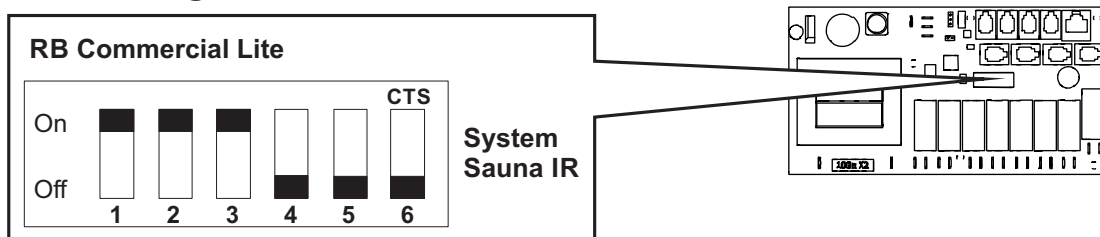
Connection diagram - Relay box Commercial Lite and Infra panels



Schematic diagram - RB Commercial Lite



DIP switch settings



Combination: Timer and Infra panels

Installation must be performed by a person who has necessary qualification for such work.
See *instructions supplied with the timer*.

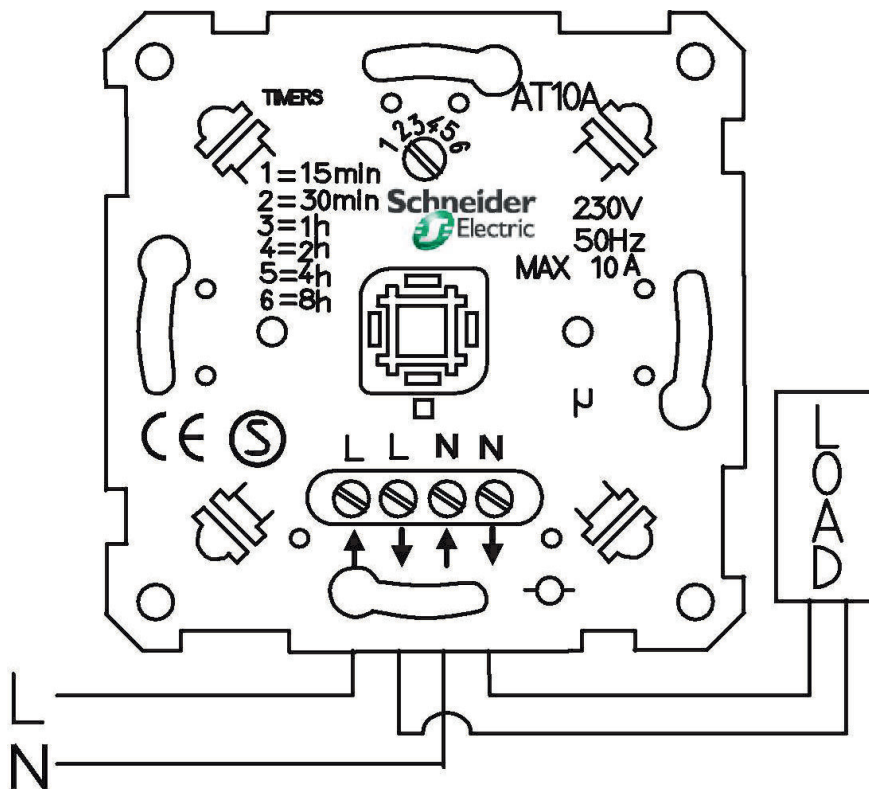
User Manual Infra - timer

Infra panels may be turned on via timer only if:

- sauna heater is off
- or sauna temperature is maximum 60°C

The timer must be a 2-pol type. Please follow the connection diagram according to manufacturer description.

Wiring diagram - Timer

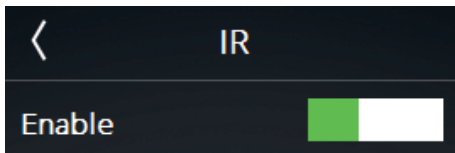


User manual Infra - control panel Elite

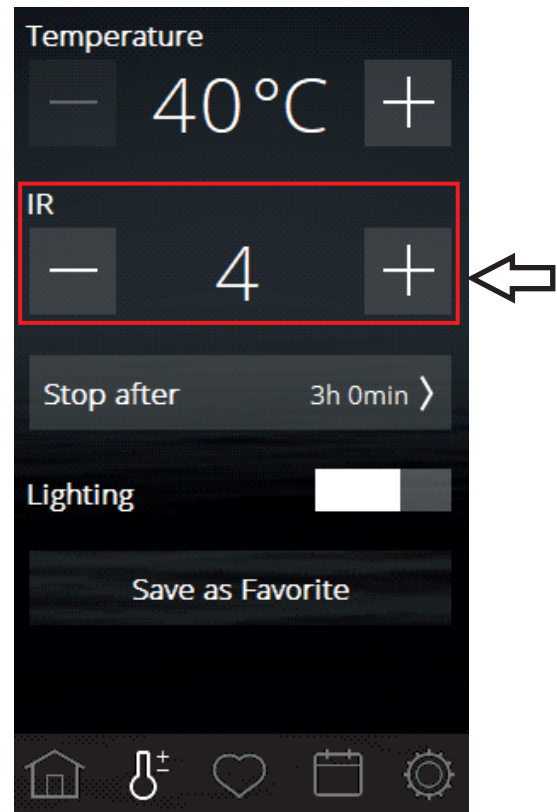
How to enable IR operation.



1. Go to configure menu - IR



2. Press Enable



3. Go to settings – Now settings for IR (Scale 0-10) are shown. IR are ready to use.

IR	ON	OFF
0	0	4 min 20 sek
1	1 min 52 sek	2 min 28 sek
2	2 min 09 sek	2 min 11 sek
3	2 min 25 sek	1 min 55 sek
4	2 min 41 sek	1 min 39 sek
5	2 min 57 sek	1 min 23 sek
6	3 min 14 sek	1 min 06 sek
7	3 min 29 sek	0 min 51 sek
8	3 min 45 sek	0 min 35 sek
9	4 min 01 sek	0 min 19 sek
10	Continuous operation	

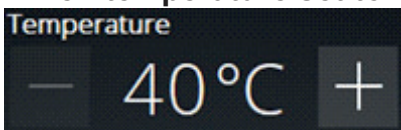
Chart IR scale 0-10, operation time

Function of IR.

Info!

- When IR panel is heating then max 2 output (effect) in the sauna heater can be active at the same time. This means that the sauna heater does not operate at full power, while the IR heats. This is normal and nothing wrong. When the IR panel is in pause mode, full power is allowed on the sauna heater, if required. This built-in monitoring occurs automatically in systems.
- Infraheaters controlled by time (IR scale 1-10) Sauna heater controlled by set temp.
- Temperature range for allowed IR operation is only within setpoint temperature 40>60°C.

When temperature set to 40°C:



Sauna heater is completely shut off during ongoing bath, only IR heater according to set IR scale 0>10 are in operation. Set IR scale are displayed together with set temperature on home screen.

When temperature set to 41>60°C:



IR heater according to set IR scale are in operation together with sauna heater. Set IR scale are displayed together with set temperature on home screen.

When temperature set to 61>110°C:



IR heater is completely shut off during ongoing bath, regardless of which IR scale is set. Only sauna heater is in operation. Set IR scale is not displayed on home screen, only set temperature is displayed.

When IR set to 0:



IR operation is completely shut off during ongoing bath, regardless of which temperature is set. Only sauna heater according to set temperature is in operation.

When IR set between 1>10:



IR heater according to set IR scale are in operation provided that temperature is set between 40>60°C. IR operation is controlled by time, according to Chart IR scale 0>10. Operation time.

Info!

The set IR scale is displayed only on home screen when temperature is set between 40>60°C. So when you see IR scale, you know that IR is in operation and heating according to set scale. If Set IR scale is not displayed, you know that IR is completely shut off.



IR in Operation



IR completely shut off

IR during Standby operation:

- IR operation is not allowed during standby operation. IR can only be used with bath.
- During standby operation only sauna heater is preheated. Then when bath is started thru control panel Elite or external switch, the IR heater will start. Note! IR only start if set temperature is between 40>60°C and set IR scale is between 1>10.

Forced preheating:

- Forced preheating in 20min of IR starts when IR operation is activated first time during ongoing bath. Forced preheating is dependent on Real-temp in room vs set temp. Forced preheating is only allowed to start once during a bath.
- Forced preheating of IR is never given when Real-temp in room is the same as set temp or higher during operation.

Interlock when to high temperature in room:

If the Real-temperature in room reaches 68°C during ongoing bath when IR is in operation (set temperature between 40>60°C) then IR operation is paused automatically until temperature drops down to at least 67°C, then IR starts again. This function works hidden in the system, no notice is displayed when the pause occur.